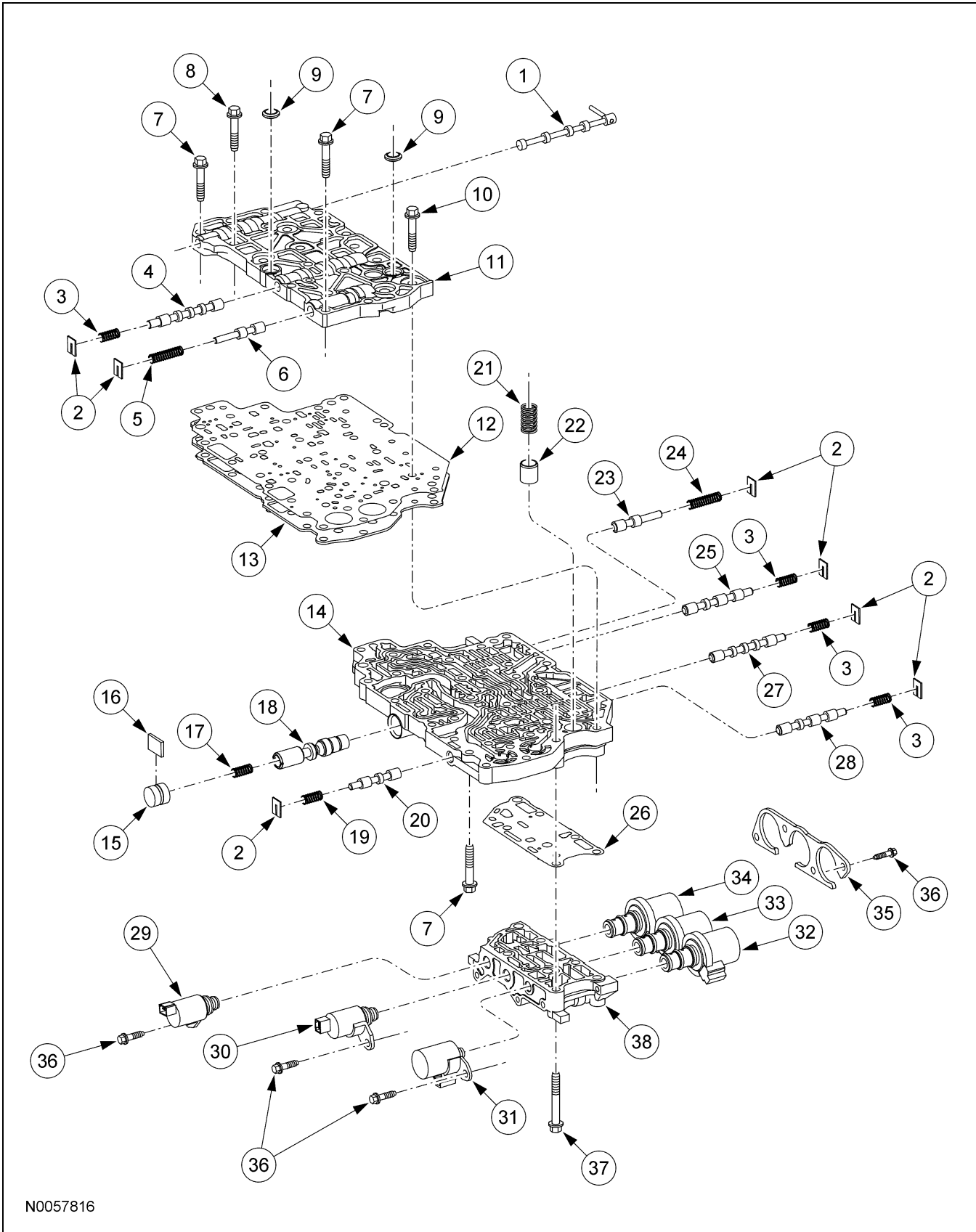


# **DISASSEMBLY AND ASSEMBLY OF SUBASSEMBLIES**

DISASSEMBLY AND ASSEMBLY OF SUBASSEMBLIES (Continued)

Main Control Valve Body



N0057816

**DISASSEMBLY AND ASSEMBLY OF SUBASSEMBLIES (Continued)**

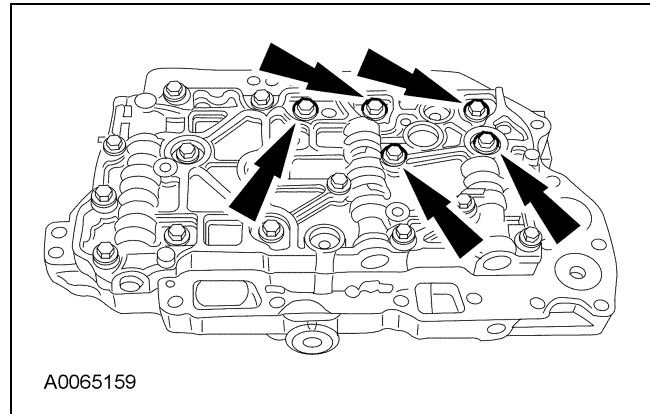
Item	Part Number	Description
1	7D142	Valve assembly — manual control
2	7F194	Plates — spring retainer (7 required)
3	7H140	Springs — bypass clutch control (4 required)
4	7G179	Valves — bypass clutch control (2 required)
5	7K720	Spring modulation valve
6	7G408	Valves — line pressure modulator (and converter relief) (2 required)
7	W500100	Bolts M6 x 40 (3 required)
8	W705271	Bolt M6 x 30 (5 required)
9	7N266	Seals — valve body
10	W705271	Bolt M6 x 60 (5 required)
11	7A092	Body — control valve upper
12	7C155	Gasket/plate assembly — control valve body
13	7A008	Gasket — control body separator
14	7A101	Body — control valve lower
15	7R294	Stop — main regulator valve
16	7F445	Retainer plate — main regulator valve
17	7A270	Spring — main fluid pressure regulator valve
18	7C338	Valve — main fluid pressure regulator
19	7G411	Spring — solenoid regulator valve
20	7H392	Valve — solenoid regulator valve
21	7D400	Spring — intermediate servo accumulator
22	7D398	Piston — intermediate servo accumulator
23	7G408	Valve — converter pressure relief
24	7G316	Spring — converter regulator valve
25	7M040	Valves — lock up control
26	7Z490	Gasket — solenoid body
27	7G179	Valve — low reverse shift
28	7M040	Valve — 3-4 shift
29	7H148	Shift solenoid (on/off) valve (SSB)

(Continued)

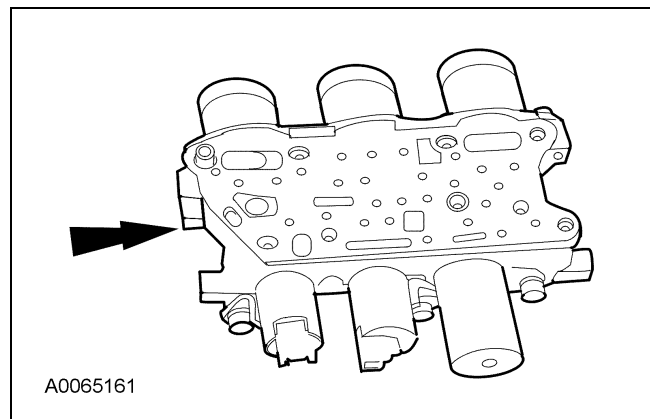
Item	Part Number	Description
30	7H148	Shift solenoid (on/off) valve (SSA)
31	7G383	Main regulator valve variable force solenoid (VFS) (PCA)
32	7G484	Pulse width modulation (PWM) solenoid valve (SSC)
33	7G484	PWM solenoid valve (SSE)
34	7G484	PWM solenoid valve (SSD)
35	7H185	Bracket — shift control solenoid hold down
36	W500211	Screws M6 x 15 (7 required)
37	W500012	Screw M6 x 72 (2 required)
38	7G391	Body — solenoid shift throttle pressure

**Disassembly**

1. Remove the solenoid body bolts and the solenoid body.

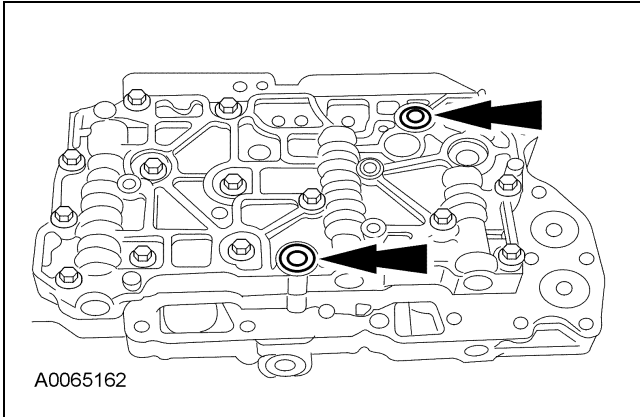


2. Remove and discard the solenoid body gaskets.



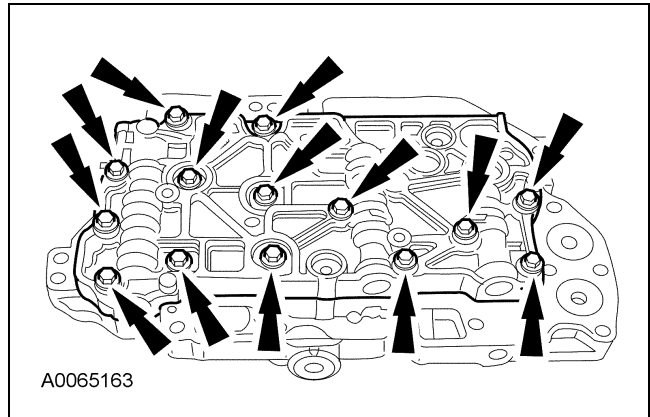
**DISASSEMBLY AND ASSEMBLY OF SUBASSEMBLIES (Continued)**

3. Remove and discard the seals.

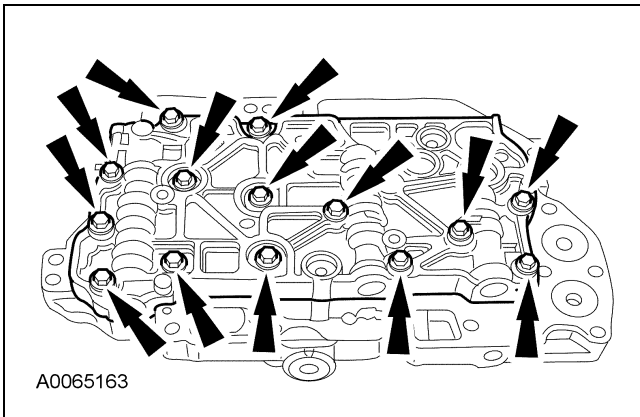


2. **NOTE:** Do not fully tighten the bolts at this stage.

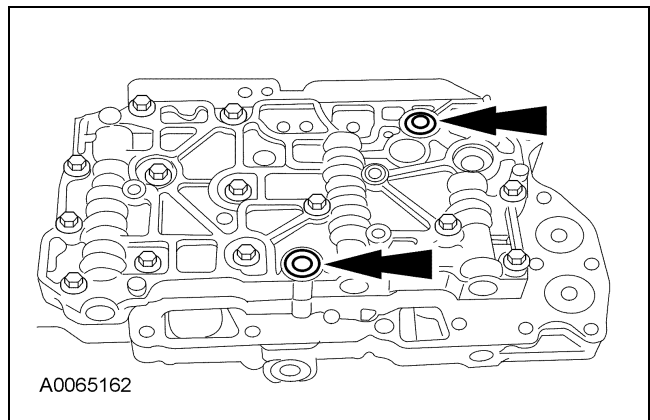
Assemble the main control valve body.



4. Disassemble the main control valve body.



3. Install the seals.



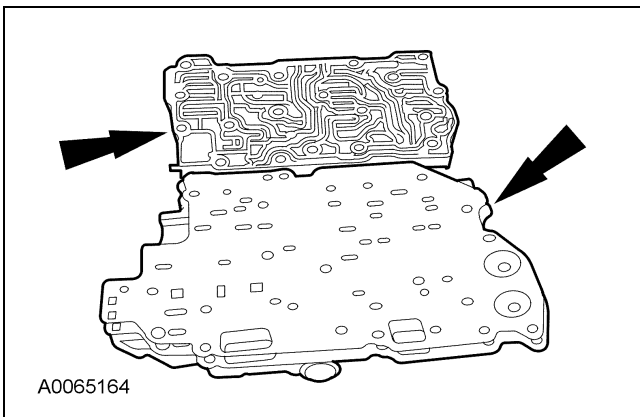
**Assembly**

1. **NOTE:** The top side of the separator plate has a bonded gasket.

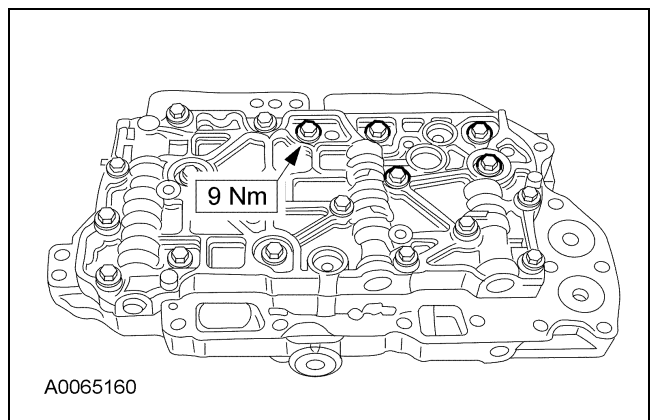
**NOTE:** The separator gasket goes on the bottom side.

**NOTE:** Inspect the main control valve body.

Install new control valve body plate assembly and separator gaskets.



4. Tighten the solenoid body bolts.



**DISASSEMBLY AND ASSEMBLY OF SUBASSEMBLIES (Continued)**

- 5. Tighten the remaining bolts in the sequence shown.

